

# Muse lantern outdoor

Tristan Auer



SMALL

MEDIUM

LARGE

SO



La nuova versione a batteria da esterno mantiene le caratteristiche della lanterna ma con un tocco più sofisticato: la fonte luminosa ha un nuovo look che la rende molto più contemporanea e accattivante. La simulazione della lampadina crea un alternarsi di linee conferendole un aspetto più moderno, permettendo, inoltre, una performance migliore.

La finitura bronzo di Muse Lantern è stata trattata per resistere agli spazi esterni e agli agenti atmosferici, la maniglia presente è in cuoio intrecciato marrone testa di moro. Il diffusore in materiale plastico rimane nella finitura ambra trasparente. Muse Lantern Outdoor Battery è disponibile nelle dimensioni small, medium e large.

*The new outdoor battery-powered version maintains the characteristics of the lantern with a special touch: the light source has a new look that makes it much more contemporary and captivating.*

*The simulation of the light bulb creates an alternation of lines giving it a more modern appearance, also allowing a better performance.*

*The bronze finish of Muse Lantern has obviously been treated to resist in outdoor spaces and weathering, with a braided leather handle. The plastic diffuser in the Lantern version keep the transparent amber finish.*

*Muse Lantern Outdoor Battery is available in small, medium and large size.*

## SPECIFICHE PRODOTTO / PRODUCT SPECIFICS

p.2

MUSE LANTERN OUTDOOR MEDIUM  
MUSE LANTERN OUTDOOR LARGE

p.4  
p.5

MUSE LANTERN OUTDOOR SMALL BATTERY  
MUSE LANTERN OUTDOOR MEDIUM BATTERY  
MUSE LANTERN OUTDOOR LARGE BATTERY

p.6  
p.7  
p.8

MUSE LANTERN OUTDOOR SO MEDIUM  
MUSE LANTERN OUTDOOR SO LARGE

p.9  
p.10

**STRUTTURA / FRAME**



Laccato bronzo  
Trattamento cataforesi Marine  
Grade

*Bronze lacquered  
Marine Grade with cataphoresis  
treatment*



Maniglia in cuoio intrecciato marrone  
*Brown braided leather handle*

**DIFFUSORE / DIFFUSER**



Acrilico color ambra  
*Amber finish acrylic*



**CAVO / CABLE****SO**

Cavo nero e catena in metallo  
Black cable and metal chain

H: 1500 mm  
H: 59"

**TA**

Cavo nero  
Black cable

Fornito con connettore  
da esterno IP68  
IP68 outdoor connector

L: 2000 mm  
L: 78,7"

**FONTE LUMINOSA / LIGHT SOURCE****220-240V**

Versione CABLATA / SO  
WIRED version / SO

E27 LED

1 x 10W E27 T8  
Lampadina LED  
LED light bulb  
IP65



Compatibile con sistemi di controllo  
remoto in caso di utilizzo di lampadine  
LED dimmerabili

*Compatible with remote control systems  
when dimmable LED bulbs are used*

Versione BATTERIA  
BATTERY version



LED module

1 x 3W  
LED module  
Emissione / Light emission: 430 Lm  
3,000 K; CRI: >90  
IP65

Autonomia: 6/8 ore  
Cicli di vita: 600  
Tempi di ricarica: 4 ore  
Caricabatterie comprensivo  
di alimentatore fornito

*Autonomy: 6/8 hours  
Lifestyle cycles: 600  
Charging time: about 4 hours  
Supplied with battery charger*



CE

 contardi

**110V**

WIRED version / SO

E26 LED

1 x 10W E26 T8  
LED light bulb  
IP65



Compatible with remote control systems  
when dimmable LED bulbs are used

BATTERY version

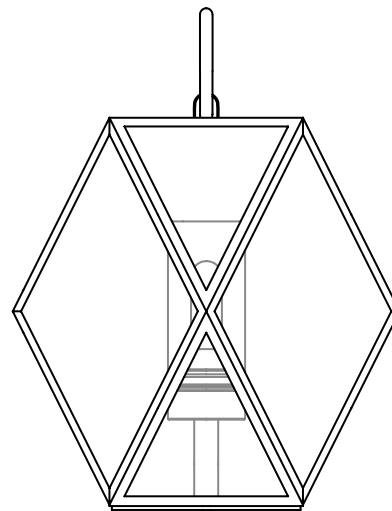
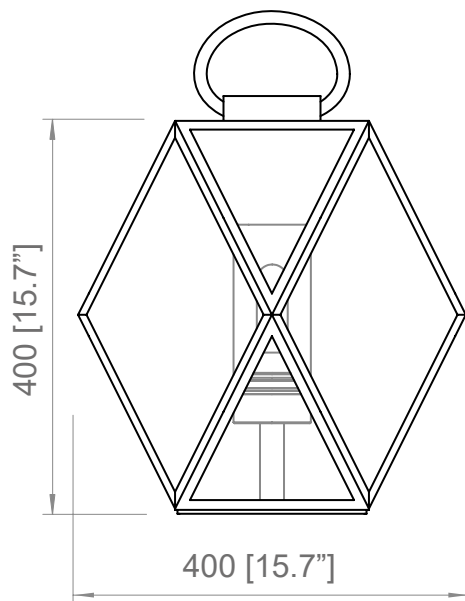
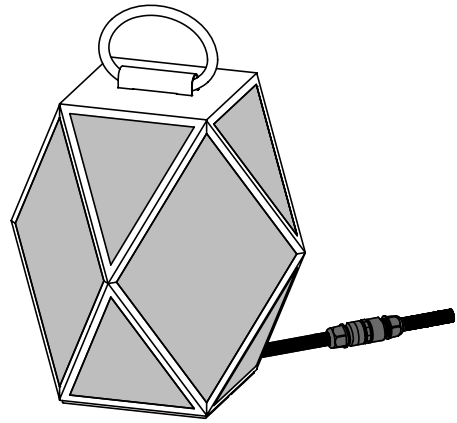
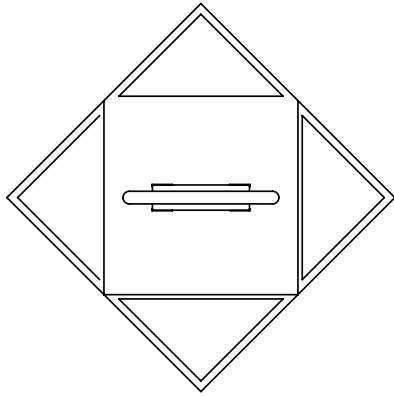


LED module

1 x 3W  
LED module  
Light emission: 430 Lm  
3,000 K; CRI: >90  
IP65

Autonomy: 6/8 hours  
Lifestyle cycles: 600  
Charging time: about 4 hours  
Supplied with battery charger

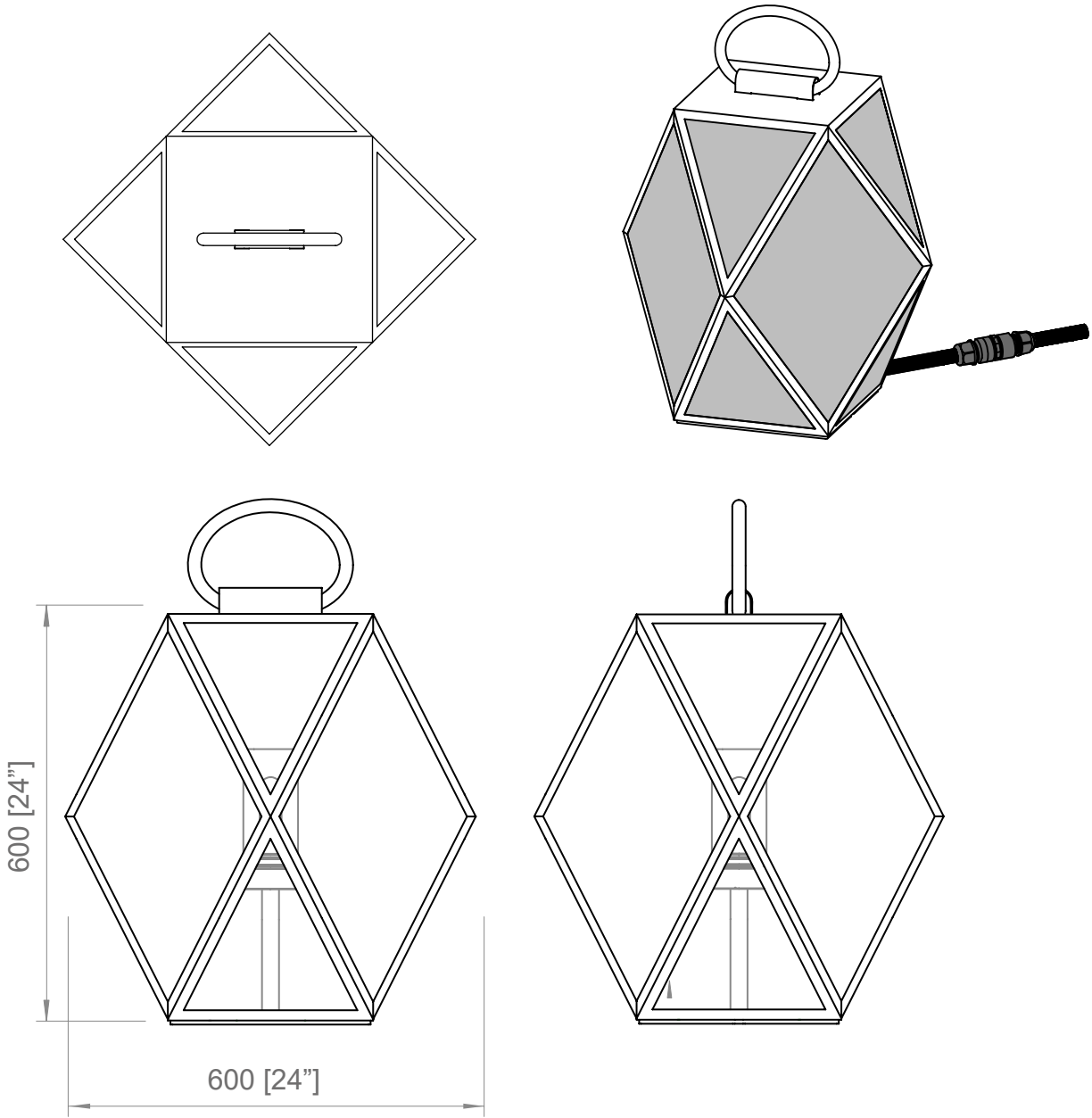




**PRDOTTO / PRODUCT**   **IMBALLI / PACKAGING**

**Peso-Weight**  
6 kg / 13.2 lbs

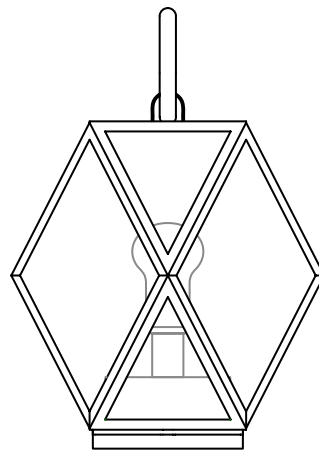
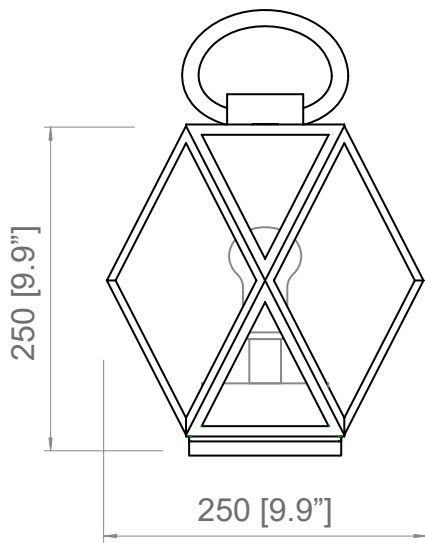
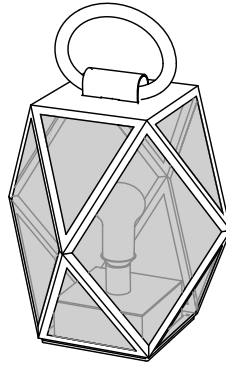
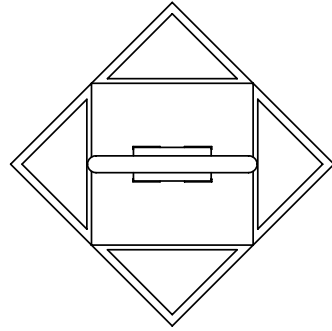
**Box 1**  
L: 520 mm / 20.4"  
P-W: 520 mm / 20.4"  
H: 550 mm / 21.6"  
Peso-Weight: 7 kg / 15.4 lbs



**PRDOTTO / PRODUCT**   **IMBALLI / PACKAGING**

**Peso-Weight**  
11 kg / 24.2 lbs

**Box 1**  
L: 640 mm / 25.2"  
P-W: 640 mm / 25.2"  
H: 730 mm / 28.7"  
Peso-Weight: 12.5 kg / 27.5 lbs



**PRDOTTO / PRODUCT**    **IMBALLI / PACKAGING**

**Peso-Weight**

1 kg / 2.2 lbs

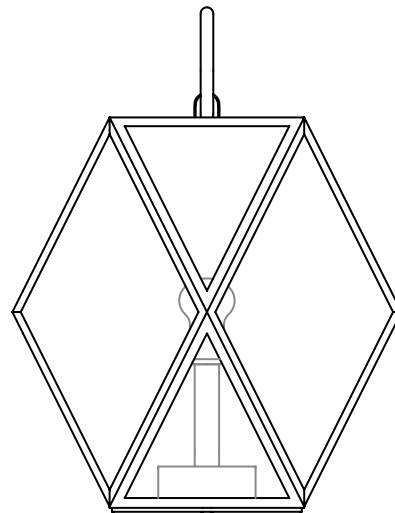
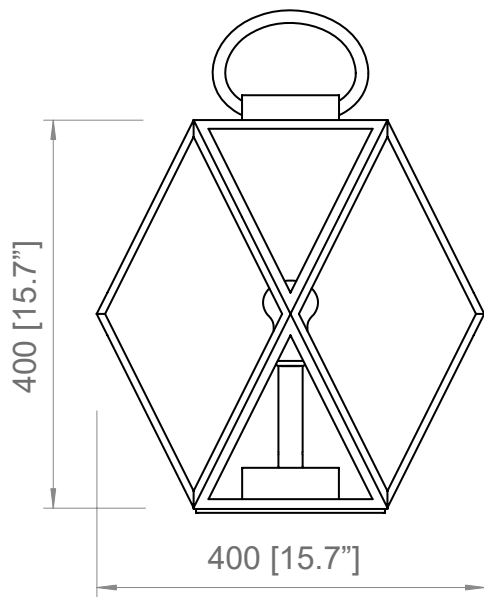
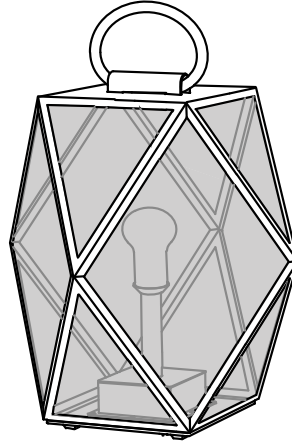
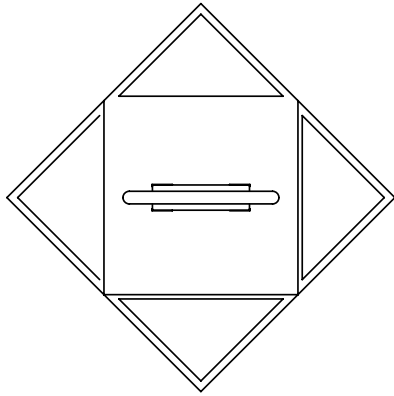
**Box 1**

L: 320 mm / 12.6"

P-W: 320 mm / 12.6"

H: 330 mm / 13"

Peso-Weight: 2.5 kg / 5.5 lbs



**PRDOTTO / PRODUCT**   **IMBALLI / PACKAGING**

**Peso-Weight**

6 kg / 13.2 lbs

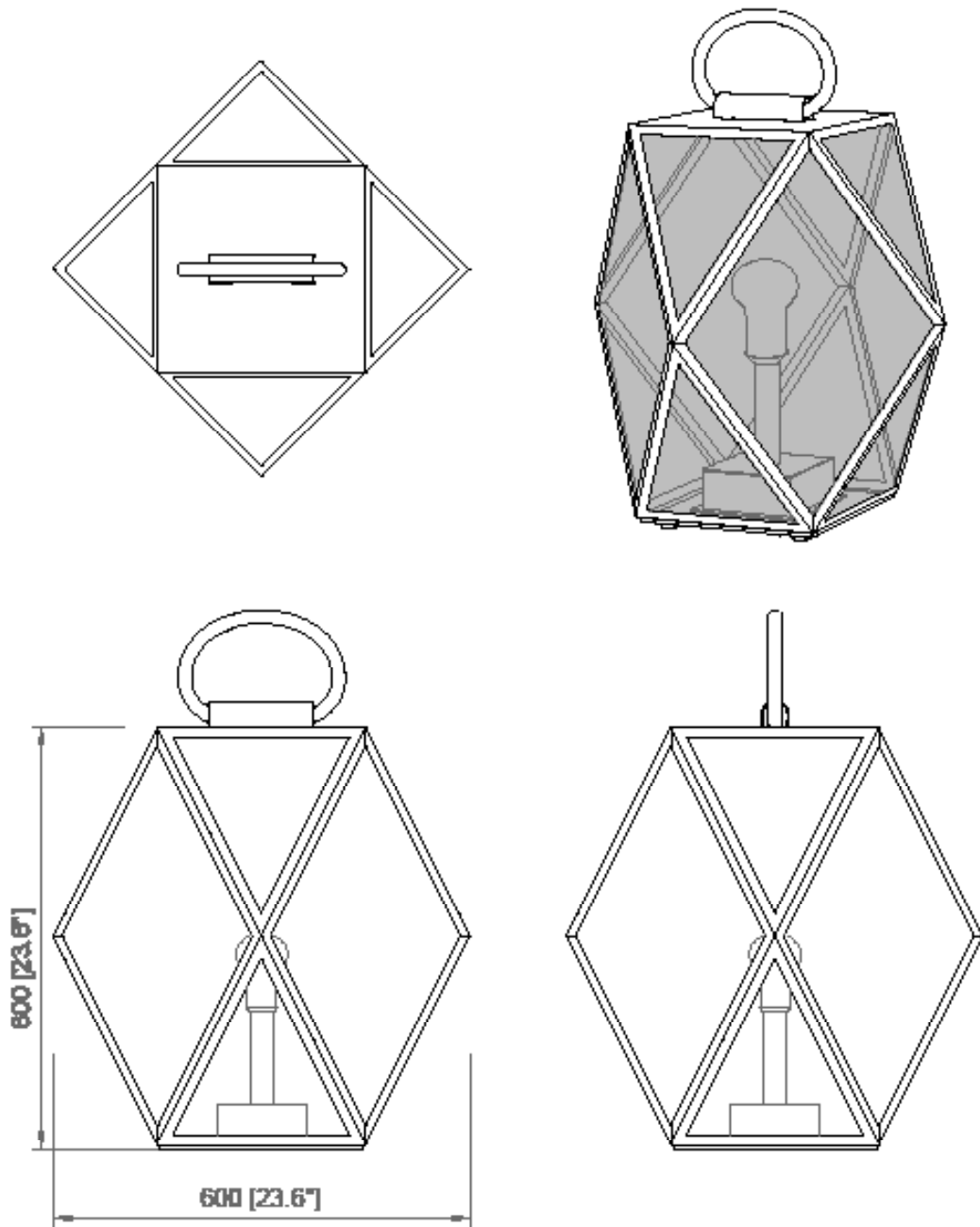
**Box 1**

L: 520 mm / 20.4"

P-W: 520 mm / 20.4"

H: 550 mm / 21.6"

Peso-Weight: 7 kg / 15.4 lbs

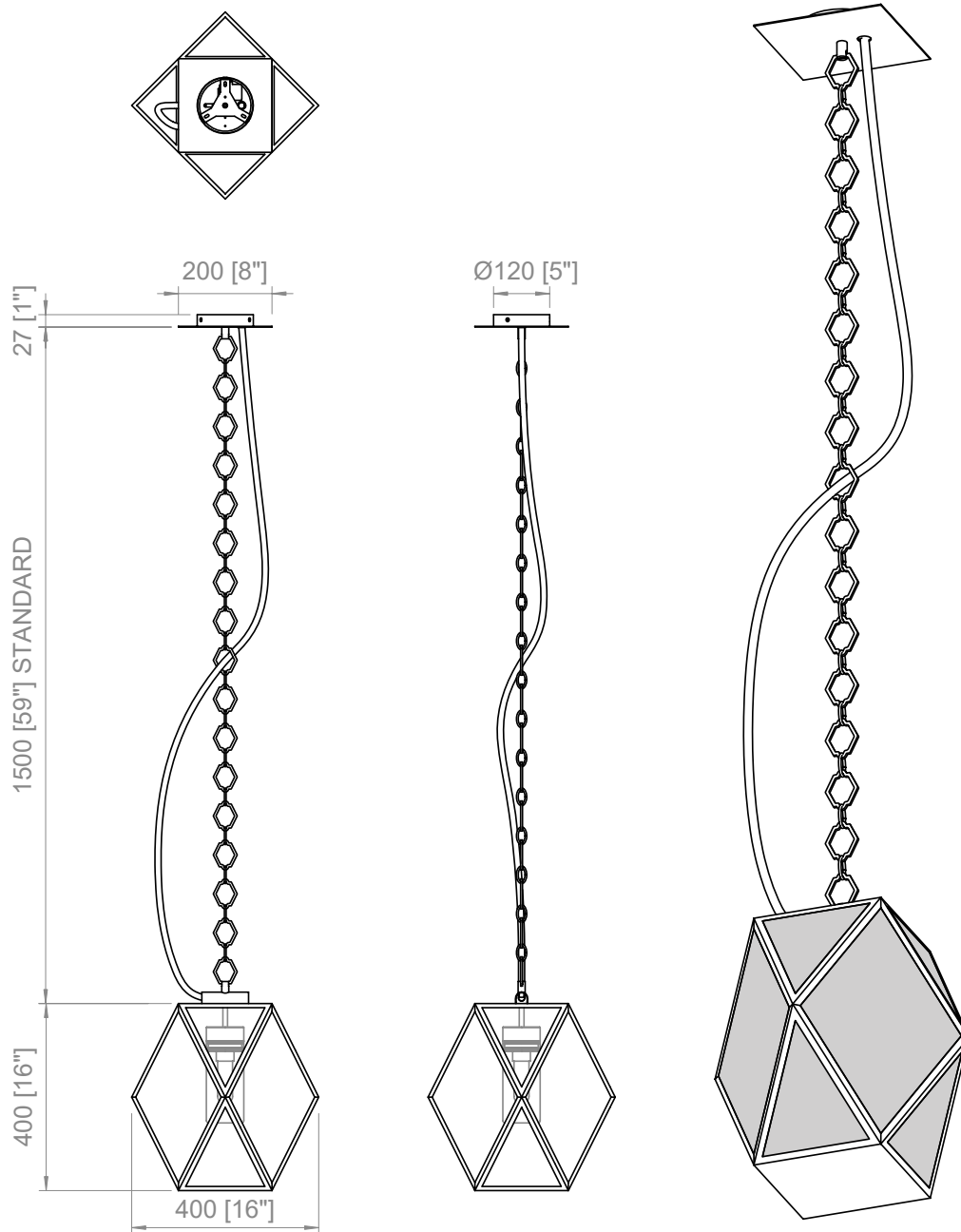


PRDOTTO / PRODUCT IMBALLI / PACKAGING

**Peso-Weight**  
11 kg / 24.2 lbs

**Box 1**  
L: 640 mm / 25.2"  
P-W: 640 mm / 25.2"  
H: 730 mm / 28.7"  
Peso-Weight: 12.5 kg / 27.5 lbs

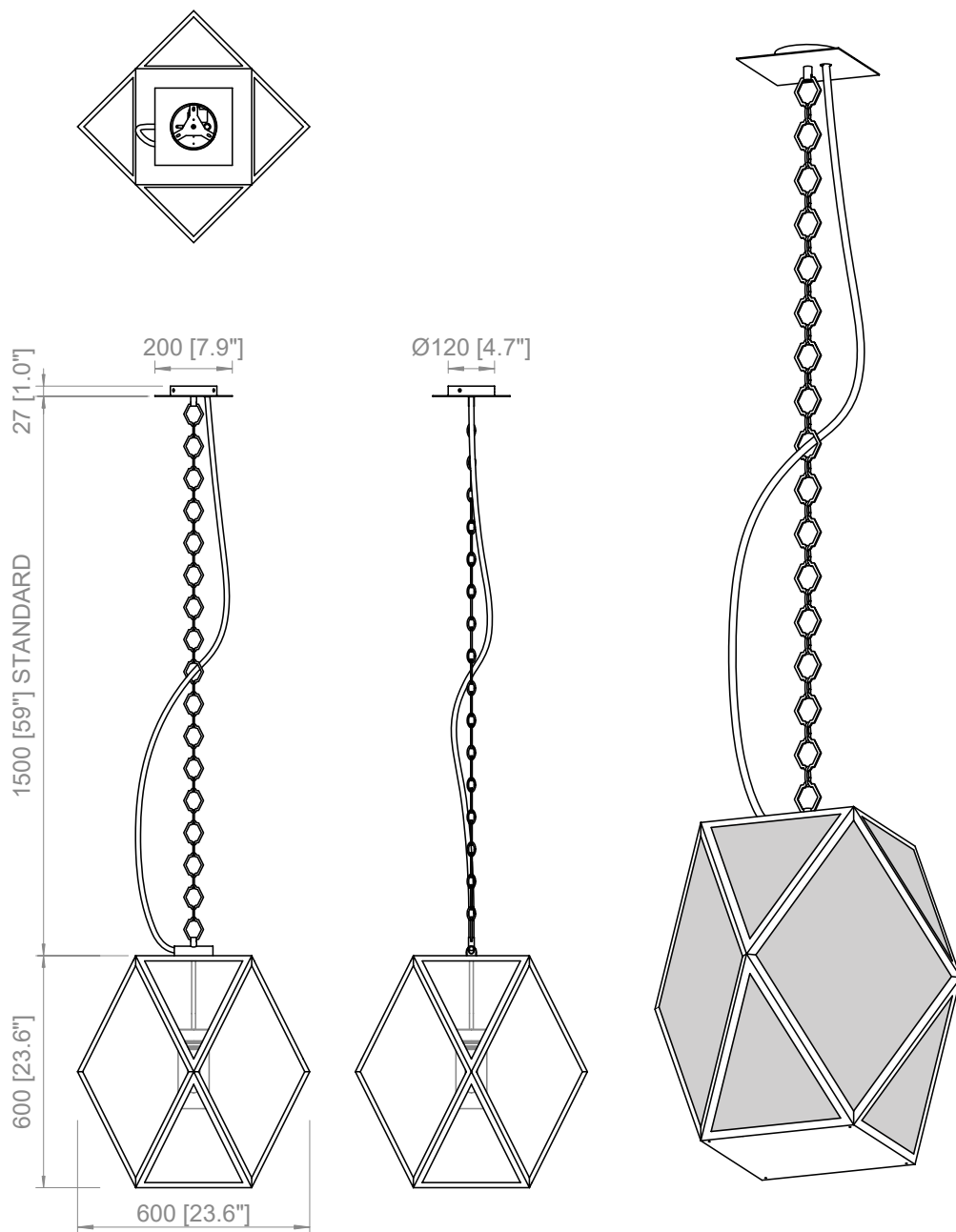




PRDOTTO / PRODUCT IMBALLI / PACKAGING

**Peso-Weight**  
6 kg / 13.2 lbs

**Box 1**  
L: 520 mm / 20.4"  
P-W: 520 mm / 20.4"  
H: 550 mm / 21.6"  
Peso-Weight: 7 kg / 15.4 lbs



**PRDOTTO / PRODUCT**   **IMBALLI / PACKAGING**

**Peso-Weight**  
11 kg / 24.2 lbs

**Box 1**  
L: 640 mm / 25.2"  
P-W: 640 mm / 25.2"  
H: 730 mm / 28.7"  
Peso-Weight: 12.5 kg / 27.5 lbs

Copyright and/or design rights subsist in this drawing. No part of this drawing may be reproduced in any material form (including photocopying or storing in any medium electronic means, whether or not intentionally and whether or not as part or a larger publication) without the express permission of the copyright owner, Contardi Lighting S.r.l.. Further and without prejudice to the above, this drawing and all information relating thereto is confidential, and shall not be communicated to a third party without the consent of Contardi lighting srl. Contardi lighting srl asserts all rights to be identified as the author of the work and otherwise.

WARNING: The doing of any unauthorised act in relation to a copyright work may result in both a civil claim for damages and criminal prosecution.

---

**CONTARDI LIGHTING Srl**

ITALY HEADQUARTERS

[www.contardi-italia.com](http://www.contardi-italia.com) / [sales@contardi-italia.it](mailto:sales@contardi-italia.it)

**CONTARDI USA Inc**

USA BRANCH

[www.contardi-usa.com](http://www.contardi-usa.com) / [sales@contardi-usa.com](mailto:sales@contardi-usa.com)

